



CATALOG  
**2024**



**KINSHOFER**

**GROUP**

**WITH OUR  
PASSION  
ALWAYS  
AT YOUR  
SERVICE**



*Demolition  
Excavation  
Material handling  
Recycling*



# **Who is Kinshofer**

*Our History*

# The history and passion of a great international brand



Kinshofer GmbH is a leading manufacturer of hydraulic crane and excavator equipment, rotators, tilt rotators and turning devices. The headquarters are located in the small town of Bavareda Holzkirchen, Germany. KINSHOFER has been part of the Swedish company Lifco AB since 2007.

KINSHOFER is named after its founder. On August 4, 1971, Alfred Kinshofer founded the company KINSHOFER Maschinenbau MieKS Bach in MieKS Bach, Germany. In the beginning, the small business had produced only bridge supports, handrails and accessories for brick factories, such as trolley carriers for tunnel kilns or lifting and lowering devices for tile presses.

Within two years of the company's founding, the development of the first brick clamp was initiated. The following year followed the construction of a pallet fork and aenna. Since space in the original factory was no longer sufficient, a new factory was built in 1975 in the eastern part of MieKS Bach.

Only two years later, the building had again become too small, so another facility was built with the addition of offices.

In 1979 the first 360° continuous rotator was developed.

In 1980 the company changed its name to KINSHOFER Greiftechnik GmbH.

The first commercial activities in the United States and the United Kingdom then began.

In 1984 the company's first foreign subsidiary was opened in Stockport, England: KINSHOFER UK Ltd. Alfred Kinshofer sold his own operations in 1987, but remained an important advisor to the company. In the same year, KINSHOFER France was founded in StraKS Bourg, France.

A year later, planning for the new production plant and offices in Marienstein, which is the company's current location, became a reality.

In 1990 construction began, and in December of that year the company moved into its new facilities.

In 1997 planning began for the construction of factories in the Austrian village of Gmünd and in Czech Ceske in the Czech Republic.

Only one year later, MARS Greiftechnik was opened and production began in the new factories.

In 2000 KINSHOFER took a step overseas and acquired the company Canadian Lift all that would become the subsidiary KINSHOFER North America.

A turning point in the company's history: in 2003 KINSHOFER developed the patented HPXdrive, thanks to which the company was awarded the Silver award for "Product Design" in the "Industry" category.



In 2006 the company finally took its current name: KINSHOFER GmbH. In the same year the acquisition of the Dutch expert in demolition and recycling equipment Demarec B.V. took place.

Swedish national Lifco AB acquired KINSHOFER GmbH in 2007. Another logical consequence was expansion eastward, so in the Chinese capital Beijing the company Darda KINSHOFER Construction Machinery Co. Ltd. was founded in 2008.

That same year, KINSHOFER Aponox Oy was founded in Hämeenlinna, Finland, focusing on NOX tilt rotators.

In late 2011, KINSHOFER acquired the Swedish company RF-System AB, and in 2012 the intellectual property and distribution rights of the New Zealand company Wedglock, further expanding the range of available products.

In 2013, KINSHOFER's new American plant opened its doors in Sanborn, New York state, dealing primarily with the construction and assembly of large demolition equipment.

In 2015, KINSHOFER acquired 100 percent of Auger Torque Europe Ltd. and Auger Torque Australia Pty Ltd. Thanks to Auger Torque products, now the KINSHOFER group's range also includes a wide variety of augers, trenchers and other attachments for cranes and excavators, as well as for backhoe loaders, skidsteers and telescopic handlers.

KINSHOFER relies on high vertical integration. Products are designed in the special development department, built in production, and finally tested in the in-house laboratory.

In this way the company maintains control not only over production, but also over the product itself.

A constant exchange of communication and information between the company and its customers leads to more developments and innovations that keep the company close to the customer.

In the special space at the company's headquarters there is also the opportunity for vendors and customers to participate in training and equipment testing.

In 2017, the Kinshofer Group was joined by the American company SoleKS Bee, a manufacturer of excavator, wheel loader and bulldozer equipment, based in Winston - GA. In the same year Kinshofer acquired the company Doherty, with offices in New Zealand and Australia. Doherty is best known for rapid attachments.

In 2019, Kinshofer acquired the Italian company Kinshofer, based in Molfetta, which manufactures demolition Kinshofers and other demolition equipment. Also in 2019, Kinshofer GmbH moved its headquarters from Marienstein to Holzkirchen, south of Munich. Production remains in Marienstein.





# Product overview

Kinshofer offers the right equipment for every need



## KSB

HYDRAULIC  
BREAKERS

Pages 14-15



## KFX

HYDRAULIC  
BREAKERS

Pages 16-19



## X

EARTH  
DRILLS

Pages 20-23



## FRK

DEMOLITION  
ROTATING  
TOOLS

Pages 24-25



## FPK

STATIC  
PULVERIZERS

Pages 26-27



## MCK

CONCRETE  
CRUSHERS

Pages 28-35



## KFR

ROTATING  
PULVERIZERS

Pages 36-37



## KSC

SCRAP  
SHEARS

Pages 38-39



## RC

MOBILE RAIL  
CUTTER

Pages 40-41



## CS

VEHICLE  
DISMANTLER

Pages 42-43



## KGR

SELECTOR  
GRABS

Pages 44-45

# Strength and efficiency

The hydraulic breaker is mainly used in earth-moving and mining industries, where components are subjected to high levels of stress, working mostly in difficult situations.

To make hydraulic breakers increasingly reliable and to guarantee both performance and power, Kinshofer has introduced the KSB and KFX lines, obtained thanks to in-depth R&D carried out throughout the years.

For the production of this equipment, top-quality alloy steels are used and the best heat treatment techniques developed.

The research and studies carried out have allowed us to obtain important results in terms of the technological and mechanical characteristics of the steels.

At the same time, studies were carried out in collaboration with the main producers of hydraulic seals (Trelleborg, Freudenberg, Nok).

Over the years we have therefore improved both quality and type of the materials used to reach the appropriate ratio between different speeds, pressures and temperatures, thus increasing durability.

# We're always ready for challenges

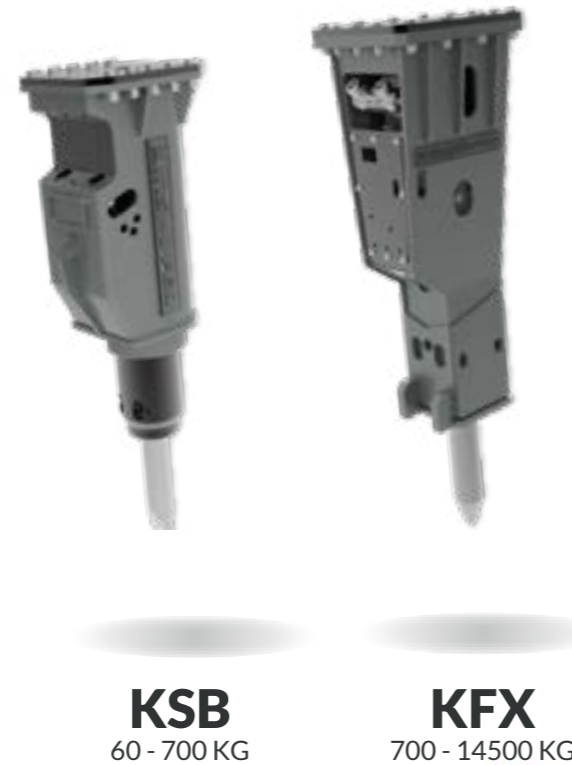
Breakers of both KSB and KFX series are "nitrogen" breakers. Kinshofer, thanks to its experience, followed this path in order to obtain high power distributed over a higher number of blows per minute, thus resisting high counterpressures (up to 30 bar).

The breaker is also very compactly structured hence reducing stress on the excavator's arm and ensure greater durability of both the breaker and its components.

- The KSB and KFX hydraulic breakers can work on any type of excavator and on any single-acting hydraulic system; they are also suitable for hydraulic systems with high back pressure

- Kinshofer Breakers are equipped with special polyurethane shock absorbers that absorb vibrations, thus protecting the arm of the excavator and also reducing noise emissions, according to the requirements of directive 2000/14 / EC

While the KSB series is suitable for carriers, mini excavators, miniblades, backhoe loaders, demolition robots. etc., the KFX series is suitable for crawler and wheeled excavators of medium and large size.



## BREAK IN A SMART WAY

Monobloc hydraulic breaker without tie rods and diaphragm

### KSB SERIES

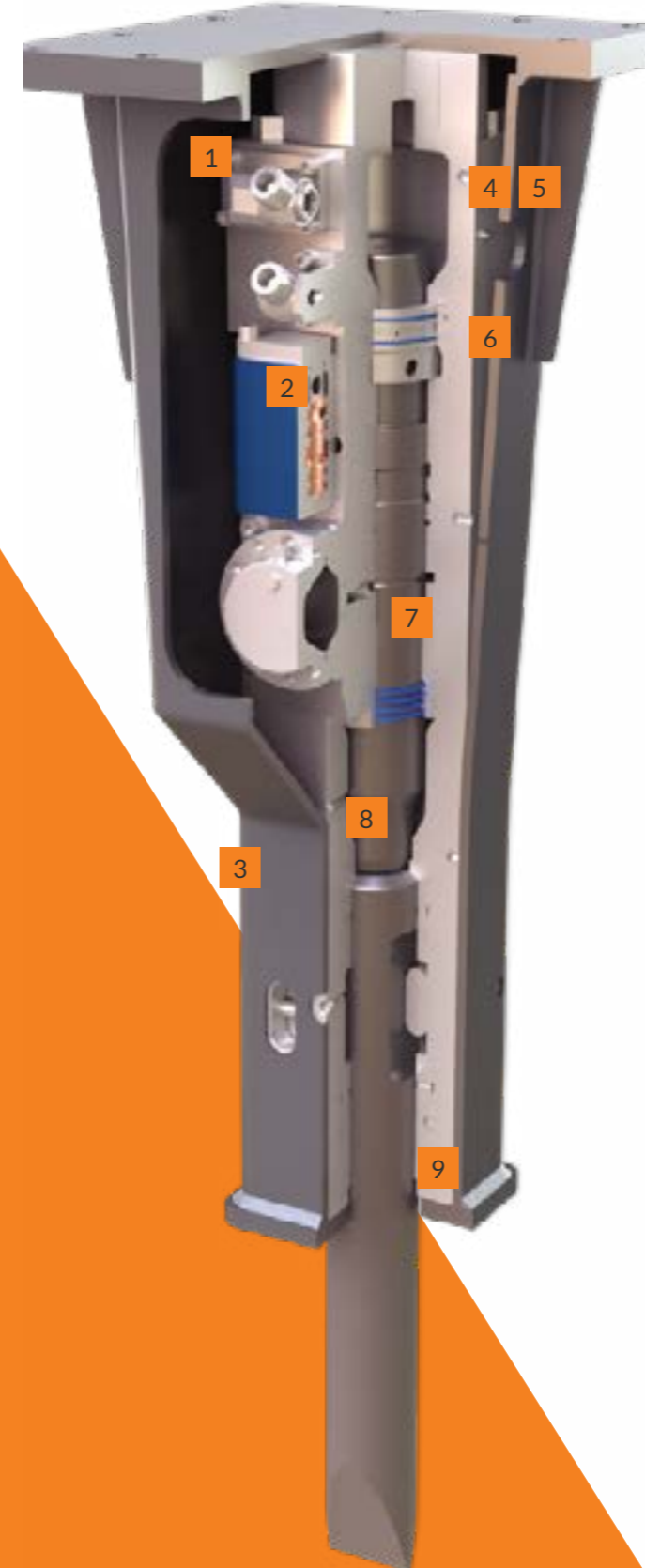


- 1 More power, less vibration and maintenance. The KSB breakers work with inertial nitrogen energy recovery, thus obtaining more power (more than 30%) and less vibration thanks to the nitrogen chamber that reduces maintenance costs, since it has no diaphragm.
- 2 Long lasting nitrogen charge. In the past, energy recovery breakers required frequent nitrogen refills; with the new sealing system and the new compound developed by Freudenberg they are able to guarantee a gas tightness equal to 300% more than in the past.
- 3 Protected tubes. The tubes are completely protected through the casing and they're suitable for every type of excavation, especially in narrow spaces.
- 4 The particular design, with a closed box casing as well as the addition of sound-absorbing material, allowed the breaker to have very low noise levels
- 5 Double retainer pin. The tool-locking system with a double retainer pin allows adequate and uniform wear of the same and ensures longer maintenance intervals for the whole locking system.
- 6 Monobloc body without tie rods. The entire KSB series benefits from the particular monoblock construction; this feature gives the structure a very high resistance to leverage, during work. The breaker is built in one only piece and it is without tie rods, thus obtaining greater production and less maintenance as a result.
- 7 Only two moving parts.
- 8 For all types of installations (pressurization). The KSB series tolerates high back pressure, and it has a wide calibration range of the required oil flow, in order to make the installation easier.
- 9 The piston moves in a single interchangeable cylinder liner that keeps the main body intact and that is easy to replace in case of necessity.
- 10 The piston is built with a special geometry as to keep a constant energy of impact, and to reduce damage in any critical condition.
- 11 Visibility and versatility. The models of the KSB series, with their tapered shape, provide the operator with an excellent view during the work and allow to operate close to the walls, both in narrow and wide spaces.
- 12 Hydraulic system for blank firings. The hydraulic system creates a regenerative oil circuit that preserves the breaker from blank firings when the tool is not in contact with the rock.

## EFFICIENCY BECOMES POWER

Kinshofer Hydraulic Breakers

### KFX SERIES



- 1 Tubes with swivels. Tubes with swivels are fully protected from any misuse and, resistant to vibrations.
- 2 Operating pressure regulation. For the KFX series (KFX950-12000), it is possible to adjust the working pressure with a manual valve located frontally on the distribution box.
- 3 Anti-dust and underwater work setup. You can prevent the entry of dust and water into the breaker by blowing air into the proper hole in the front part of the breaker, with a pressure of not less than 10 bar.
- 4 Automatic hydraulic greasing device (optional, mounted on the breaker). The Beka-Lube automatic lubrication system optimizes the lubrication procedure and reduces maintenance and downtimes
- 5 Automatic hydraulic greasing device with exclusive Kinshofer electric control (optional, mounted on the excavator). Innovative electric system with automatic grease distribution, less liable to vibration breakages thanks to its tank of grease with a capacity of 4 kg or 8 kg, making thus the system cheaper than all the other devices with single cartridges.
- 6 Manual blows adjustment. For the KFX series (KFX950-KFX12000), the regulation of the blows is carried out manually by a valve located on the side of the breaker.
- 7 Hydraulic system for blank firings. The hydraulic system creates a regenerative oil circuit that preserves the breaker from blank firings when the tool is not in contact with the rock.
- 8 The piston is built with a special geometry as to keep a constant energy of impact, and to reduce damage in any critical condition.
- 9 Anti-dust system for tunnels (optional). The anti-dust system consists of a dustproof seal addition mounted in the lower bush to avoid the entry of impurities into the circuit. KFX series breakers are suitable for secondary demolition work, excavations in quarry, work in urban areas, tunnels, pipelines, and railway tunnels and, concerning the biggest models, demolitions in open pit mining.





# Kinshofer Lube

Kinshofer LUBE is the result of intense cooperation between the Engineering Departments of Kinshofer and Meyerlub, both specialists in advanced technology. Kinshofer Grease is totally different from any other breaker's grease or oil.

- It is based on special synthetic components, with a strong affinity to metal surfaces due to their "polar" nature. This offers superior lubricating film strength, even in the most adverse operating conditions.
- Its physical characteristics perfectly match the Kinshofer lubricant supply systems (on-board Greasing Stations and Easy-Lub equipment)

### KINSHOFER GREASE KEEPS ITS PROMISES!

- Total protection from friction, wear and scuffing, thanks to the exceptional film strength and metal affinity
- Complete and uniform distribution of lubricant on the whole surface, for a complete protection from wear and seizing
- Cost saving: highly efficient lubrication ensures complete protection, reducing drastically maintenance, spares and downtime costs. The exclusive and "state of the art" performance of Kinshofer Grease optimizes lubrication efficiency and significantly reduces lubricant's over-consumption and relevant costs.

### CONSIDER THE DIFFERENCE

Kinshofer breakers, rolling bearings and machinery pins have very different engineering features; therefore lubrication requirements change accordingly. Kinshofer lube is a tailor-made product, thought intentionally for hydraulic breakers.

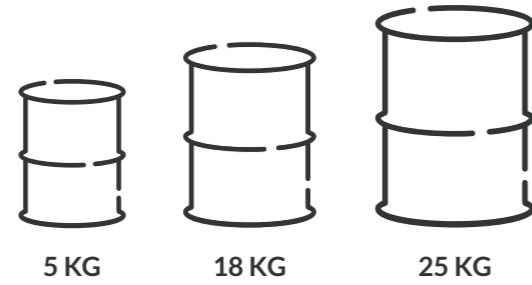
### WHY IS CORRECT LUBRICATION SO IMPORTANT?

Kinshofer breakers operate at high frequencies under heavy loads, involving high thermal and mechanical stress. Inadequate lubricants generate excessive wear and deposits.

### BREAKER LIFE SPAN, EFFICIENCY, AND RELIABILITY MAY BE SERIOUSLY AFFECTED.

Proper breaker lubrication is the combination of:

- Appropriate lubricating system design.
- Appropriate lubricant structure and composition.
- Perfect tuning between lubricant and application system.



# Product Series

Discover all our series

# HYDRAULIC BREAKERS WITHOUT TIE RODS

for excavators from 0.5 to 14 ton

## Break in a smart way

- More power / less vibrations and maintenance
- Long lasting nitrogen charge
- Protected tubes
- Silenced body
- Monobloc body without tie rods
- Double retainer pin
- Only two moving parts
- For all types of installations
- Visibility and versatility

# KSB SERIES



### KSB55



**MOIL POINT**  
Suitable for concrete, medium-hard and not layered rocks.



**BLUNT TOOL**  
Suitable for reinforced concrete and very compact rocks.



**ASPHALT CUTTER**  
Suitable for cutting asphalt.



**PYRAMID TOOL**  
Suitable for reinforced concrete and very compact rocks.



**CHISEL TOOL**  
Suitable for medium-hard and layered rocks.



**PILE DRIVER**  
Suitable for planting wooden or concrete poles.



**WOOD CUTTER TOOL**  
Suitable for cutting all types of wood.

### Application Fields



Mining & Quarrying



Demolition & Renovation



Construction



Metallurgical Industry



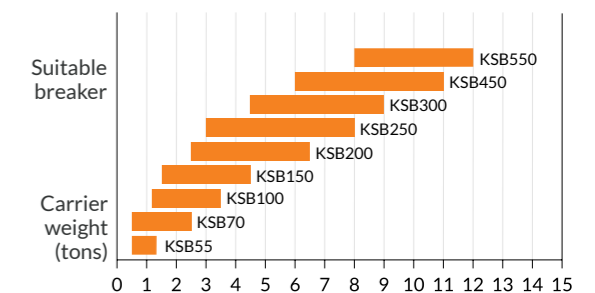
Recycling

### TECHNICAL DRAWINGS



Models		KSB55	KSB70	KSB100	KSB150	KSB200	KSB250	Models		KSB300	KSB450	KSB550
Carrier weight	t	0.5-1.4	0.5-1.6	1.2-2.5	1.5-3.8	2.5-5	3-6.5	Carrier weight	t	4.5-8.5	6-10	8-12.5
Weight	kg	60	70	100	135	190	240	Weight	kg	300	470	520
Body height (a)	mm	583	583	666	666	869	869	Body height (a)	mm	904	1135	1135
Tool height (b)	mm	200	228	255	255	275	300	Tool height (b)	mm	295	378	431
Tool diameter	mm	40	40	45	48	55	65	Tool diameter	mm	75	80	90
Required oil supply	l/min	15-20	18-23	20-30	22-40	25-55	30-60	Required oil supply	l/min	50-70	60-80	65-85
Oil Kinshofer pressure	bar	110	110	110	110	130	140	Oil Kinshofer pressure	bar	160	160	160
Blows per minute	/min	800-1700	800-1750	800-2300	800-2000	900-1900	850-1800	Blows per minute	/min	600-1500	600-1300	600-1300
Energy per blow	j	250	280	400	580	750	950	Energy per blow	j	1200	1700	2300
Max. Back pressure	bar	30	30	30	30	30	30	Max. Back pressure	bar	30	30	30
Inner diam. in hose	inch	1/2"	1/2"	1/2"	1/2"	1/2"	1/2"	Inner diam. in hose	inch	3/4"	3/4"	3/4"
Inner diam. out hose	inch	1/2"	1/2"	1/2"	1/2"	1/2"	1/2"	Inner diam. out hose	inch	3/4"	3/4"	3/4"

### EXCAVATOR OPTIMAL RANGE



\*All illustrations and numerical data in this catalog are purely indicative and subject to change at our discretion and without notice. We therefore reserve the right to modify them with a view to improving and continuously developing our product.



# KINSHOFER HYDRAULIC BREAKERS

for excavators from 8 to 200 ton

## Efficiency becomes power

- Tubes with swivels fully protected
- Operating pressure adjustment
- Anti-dust and underwater work setup
- Automatic hydraulic greasing device
- Hydraulic system for blank firings
- Manual blow adjustment
- Anti-dust system for tunnels



**MOIL POINT**  
Suitable for concrete, medium-hard and not layered rocks.



**PYRAMID TOOL**  
Suitable for reinforced concrete and very compact rocks.



**BLUNT TOOL**  
Suitable for reinforced concrete and very compact rocks.



**COBRA TOOL**  
Suitable for quarry works, such as primary demolition and reduction of stone blocks.



**CHISEL TOOL**  
Suitable for medium-hard and layered rocks.



**AUTOMATIC HYDRAULIC GREASING DEVICE**  
(Optional, mounted on the breaker)  
The Beka-Lube automatic lubrication system optimizes the lubrication procedure and reduces maintenance and downtimes.

# KFX SERIES

### Application Fields

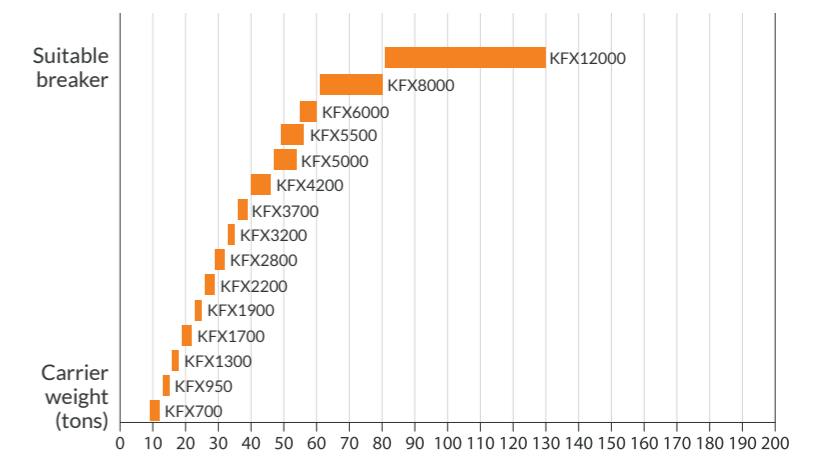


### TECHNICAL DRAWING



Models		KFX700	KFX950	KFX1300	KFX1700	KFX1900	Models		KFX2200
Carrier weight	t	8-14	10-17	13-19	18-24	22-27	Carrier weight	t	23-31
Weight	kg	700	950	1200	1650	1850	Weight	kg	2200
Body height (a)	mm	1310	1390	1470	1670	1790	Body height (a)	mm	1840
Tool height (b)	mm	430	550	560	620	725	Tool height (b)	mm	720
Tool diameter	mm	95	115	120	135	140	Tool diameter	mm	150
Required oil supply	l/min	70-100	90-120	110-140	130-160	140-180	Required oil supply	l/min	165-190
Oil Kinshofer pressure	bar	160	165	170	180	180	Oil Kinshofer pressure	bar	180
Blows per minute	/min	600-900	600-900	400-900	400-800	400-800	Blows per minute	/min	400-800
Energy per blow	j	2000	2600	3200	4200	4700	Energy per blow	j	5400
Max. Back pressure	bar	25	25	25	25	25	Max. Back pressure	bar	25
Inner diam. in hose	inch	3/4"	1"	1"	1"	1"	Inner diam. in hose	inch	1"
Inner diam. out hose	inch	3/4"	1"	1"	1"	1"	Inner diam. out hose	inch	1" 1/4

### EXCAVATOR OPTIMAL RANGE



All illustrations and numerical data in this catalog are purely indicative and subject to change at our discretion and without notice. We therefore reserve the right to modify them with a view to improving and continuously developing our product.

# KINSHOFER HYDRAULIC BREAKERS

for excavators from 8 to 200 ton

## Efficiency becomes power

- Tubes with swivels fully protected
- Operating pressure adjustment
- Anti-dust and underwater work setup
- Automatic hydraulic greasing device
- Hydraulic system for blank firings
- Manual blow adjustment
- Anti-dust system for tunnels



# KFX SERIES

### Application Fields



### TECHNICAL DRAWING



Modelli		KFX2800	KFX3200	KFX3700	KFX4200	KFX5000	KFX5500
Carrier weight	t	28-38	30-40	35-50	36-55	40-55	40-65
Weight	kg	2900	3200	3700	4400	4800	5200
Body height (a)	mm	2030	2030	2250	2250	2300	3000
Tool height (b)	mm	710	710	790	790	790	700
Tool diameter	mm	160	160	180	180	180	195
Required oil supply	l/min	180-240	200-260	250-300	270-320	270-320	290-350
Oil Kinshofer pressure	bar	180	180	180	190	190	190
Blows per minute	/min	350-700	300-650	300-650	300-650	350-700	250-550
Energy per blow	j	8500	9000	9500	12500	13500	16500
Max. Back pressure	bar	25	25	25	25	25	30
Inner diam. in hose	inch	1" 1/4	1" 1/4	1" 1/4	1" 1/4	1" 1/4	1" 1/4
Inner diam. out hose	inch	1" 1/4	1" 1/4	1" 1/4	1" 1/4	1" 1/4	1" 1/4

NEW

Modelli		KFX6000	KFX8000	KFX12000
Carrier weight	t	45-75	60-110	80-170
Weight	kg	5800	7300	11000
Body height (a)	mm	3200	3700	4440
Tool height (b)	mm	700	800	760
Tool diameter	mm	195	215	255
Required oil supply	l/min	300-380	380-440	480-570
Oil Kinshofer pressure	bar	190	190	190
Blows per minute	/min	250-550	200-400	150-300
Energy per blow	j	18500	23000	28000
Max. Back pressure	bar	30	30	30
Inner diam. in hose	inch	1" 1/4	1" 1/4	1" 1/2
Inner diam. out hose	inch	1" 1/4	1" 1/4	1" 1/2



All illustrations and numerical data in this catalog are purely indicative and subject to change at our discretion and without notice. We therefore reserve the right to modify them with a view to improving and continuously developing our product.



# EARTH DRILLS

for excavators from 1 to 22 ton

## Drilling has no limits!

- Forged hood ears.
- Epicyclic gearbox.
- High quality hydraulic motors.
- Non-dislodgement shaft.



STUMP PLANER



SMALL MIXER BOWL



BIG MIXER BOWL



LOG-SPLITTER



# X SERIES

### Application Fields



Mining & Quarrying



Demolition & Renovation



Construction



Metallurgical Industry



Recycling

Models		X1500	X2000	X2500	X3000	X3500	X4500	X5500
Carrier weight	t	1-2	1-2.5	1.5-3	2-4	2.5-4.5	3-5	4.5-6
Unit Weight	kg	46	47	48	71	73	75	108
Torque range	Nm	511-1496	539-2190	830-2847	959-2877	1205-3614	1574-4721	1685-5477
Oil pressure range	bar	70-205	70-240	70-240	80-240	80-240	80-240	80-260
Oil flow range	l/min	20-45	25-57	27-65	27-75	40-85	50-95	40-115
Speed range	giri/min	44-98	43-99	36-87	36-100	42-90	40-77	30-87
Unit height	mm	585	585	585	665	665	665	780
Unit diameter	mm	200	200	200	244	244	244	269
Augers		S4	S4	S4	S4	S4	S4	S5
Augers diameter	mm	100-400	100-450	100-500	100-600	100-750	100-900	150-750

Models		X7000	X8000	X12000	X12000	X20000	X25000
Carrier weight	t	5-7	6-8	8-13	10-15	13-20	15-22
Unit Weight	kg	112	116	172	173	268	269
Torque range	Nm	2133-6931	2717-8152	3998-11995	5024-15071	13043-19564	16503-24755
Oil pressure range	bar	80-260	80-240	80-240	80-240	160-240	160-240
Oil flow range	l/min	60-135	70-150	80-170	80-170	80-170	80-170
Speed range	giri/min	36-81	33-70	25-54	20-43	16-33	12-26
Unit height	mm	780	780	930	930	1130	1130
Unit diameter	mm	269	269	290	290	345	345
Augers		S5	S5	S6	S6	S6	S6
Augers diameter	mm	150-900	150-1200	150-1000	150-1200	150-1200	150-1500

\*All illustrations and numerical data in this catalog are purely indicative and subject to change at our discretion and without notice. We therefore reserve the right to modify them with a view to improving and continuously developing our product.



# EARTH DRILLS

for excavators from 1 to 22 ton

## Drilling has no limits!

- Forged hood ears.
- Epicyclic gearbox.
- High quality hydraulic motors.
- Non-dislodgement shaft.



# X SERIES

### Application Fields



### AUGERS S4

- Auger - S4 - 100mm Tungsten - Length 1200mm
- Auger - S4 - 150mm Tungsten - Length 1200mm
- Auger - S4 - 200mm Tungsten - Length 1200mm
- Auger - S4 - 225mm Tungsten - Length 1200mm
- Auger - S4 - 250mm Tungsten - Length 1200mm
- Auger - S4 - 300mm Tungsten - Length 1200mm
- Auger - S4 - 350mm Tungsten - Length 1200mm
- Auger - S4 - 400mm Tungsten - Length 1200mm
- Auger - S4 - 450mm Tungsten - Length 1200mm
- Auger - S4 - 500mm Tungsten - Length 1200mm
- Auger - S4 - 600mm Tungsten - Length 1200mm
- Auger - S4 - 750mm Tungsten - Length 1200mm
- Auger - S4 - 800mm Tungsten - Length 1200mm
- Auger - S4 - 900mm Tungsten - Length - 1200mm

### AUGERS S5

- Auger S5 - 150mm - Tungsten - Length 1500mm
- Auger S5 - 200mm - Tungsten - Length 1500mm
- Auger S5 - 225mm - Tungsten - Length 1500mm
- Auger S5 - 250mm - Tungsten - Length 1500mm
- Auger S5 - 300mm - Tungsten - Length 1500mm
- Auger S5 - 350mm - Tungsten - Length 1500mm
- Auger S5 - 400mm - Tungsten - Length 1500mm
- Auger S5 - 450mm - Tungsten - Length 1500mm
- Auger S5 - 500mm - Tungsten - Length 1500mm
- Auger S5 - 600mm - Tungsten - Length 1500mm
- Auger S5 - 750mm - Tungsten - Length 1500mm
- Auger S5 - 800mm - Tungsten - Length 1500mm
- Auger S5 - 900mm - Tungsten - Length 1500mm
- Auger S5 - 1000mm - Tungsten - Length 1500mm

### AUGERS S6

- Auger - S6 - 150mm - Tungsten - Length 1875mm
- Auger - S6 - 200mm - Tungsten - Length 1875mm
- Auger - S6 - 225mm - Tungsten - Length 1875mm
- Auger - S6 - 250mm - Tungsten - Length 1875mm
- Auger - S6 - 300mm - Tungsten - Length 1875mm
- Auger - S6 - 350mm - Tungsten - Length 1875mm
- Auger - S6 - 400mm - Tungsten - Length 1875mm
- Auger - S6 - 450mm - Tungsten - Length 1875mm
- Auger - S6 - 500mm - Tungsten - Length 1875mm
- Auger - S6 - 600mm - Tungsten - Length 1875mm
- Auger - S6 - 750mm - Tungsten - Length 1875mm
- Auger - S6 - 800mm - Tungsten - Length 1875mm
- Auger - S6 - 900mm - Tungsten - Length 1875mm
- Auger - S6 - 1000mm - Tungsten - Length 1875mm
- Auger - S6 - 1200mm - Tungsten - Length 1875mm
- Auger - S6 - 1500mm - Tungsten - Length 1875mm

### EXTENSIONS for S4

- Extension - S4 - Length 500mm
- Extension - S4 - Length 1000mm

### EXTENSIONS for S5

- Extension - S5 - Length 1000mm
- Extension - S5 - Length 1500mm
- Extension - S5 - Length 2000mm
- Extension - S5 - Length 2500mm

### EXTENSIONS for S6

- Extension - S6 - Length 1000mm
- Extension - S6 - Length 1500mm
- Extension - S6 - Length 2000mm
- Extension - S6 - Length 2500mm
- Extension - S6 - Length 3000mm

\*All illustrations and numerical data in this catalog are purely indicative and subject to change at our discretion and without notice. We therefore reserve the right to modify them with a view to improving and continuously developing our product.

# DEMOLITION ROTATING PULVERIZERS

for excavators from 3 to 55 ton

## Designed to last!

- Double motors for an excellent rotation and high power
- Integrated "relief" valve to avoid pressure peaks on the rotating motor
- Double-turn ball bearing (from model FRK17 up)
- Designed and built to achieve high crushing force



THE ROTARY PULVERIZERS OF THE NEW FRK SERIES HAVE BEEN DEVELOPED FOR PRIMARY AND SECONDARY DEMOLITION.

ALL THE PARTS THAT MOSTLY UNDERGO WEARING ARE EASILY REPLACEABLE

- Excellent speed/power to weight ratio
- Cylinder fully protected from possible debris during demolition
- Plates designed to achieve an excellent crushing force

PRESSURE UP TO 350 BAR

SPEED VALVE (optional from model FRK17 up)



# FRK SERIES

## Application Fields



Mining & Quarrying



Demolition & Renovation



Construction

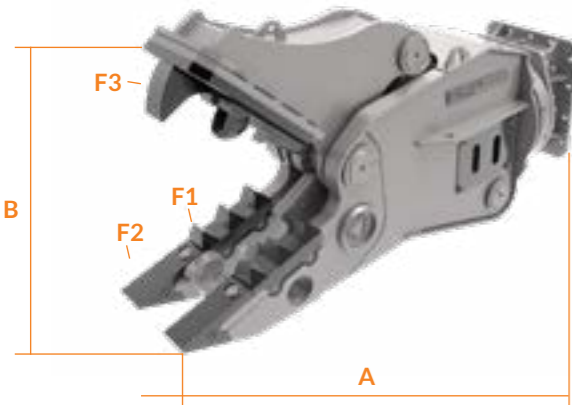


Metallurgical Industry



Recycling

## TECHNICAL DRAWING



All illustrations and numerical data in this catalog are purely indicative and subject to change at our discretion and without notice. We therefore reserve the right to modify them with a view to improving and continuously developing our product.

Models		FRK03	FRK06	FRK10	Models		FRK13	FRK17	FRK21	FRK26	FRK32	FRK42	FRK60	FRK80
Carrier weight	t	3-8	6-13	9-17	Carrier weight	t	12-20	14-23	16-27	20-32	26-40	32-55	50-70	65-90
Weight	kg	330	570	1000	Weight	kg	1400	1650	2000	2400	3300	4200	4800	6650
Excavator oil flow capacity	l/min	30-70	60-100	70-110	Excavator oil flow capacity	l/min	110-160	140-200	180-230	200-300	300-350	350-400	400-500	450-600
Excavator working pressure	bar	280	320	320	Excavator working pressure	bar	350	350	350	350	350	350	350	350
360° Rotation	°	360°	360°	360°	360° Rotation	°	360°	360°	360°	360°	360°	360°	360°	360°
Rotation oil flow capacity	l/min	10-25	20-40	20-40	Rotation oil flow capacity	l/min	30-60	40-60	40-60	40-60	40-60	40-60	40-60	50-70
Rotation Pressure	bar	100	100	100	Rotation Pressure	bar	140	140	140	140	140	140	140	140
A	mm	1280	1450	1620	A	mm	1900	2000	2100	2300	2500	2700	2965	3300
B	mm	415	520	605	B	mm	655	720	780	880	1000	1100	1250	1400
Steel blade length	mm	120	150	150	Steel blade length	mm	160	200	200	200	200	250	250	250
F1	t	110	130	150	F1	t	190	195	220	250	370	505	610	735
F2	t	60	65	70	F2	t	120	120	120	140	225	285	345	415
F3	t	35	40	45	F3	t	53	63	70	80	100	115	140	170
Ø Max	mm	28	30	30	Ø Max	mm	40	40	50	55	60	65	70	80



# STATIC PULVERIZERS

for excavators from 15 to 60 ton

## First quality secondary demolition

- Designed and built to achieve high crushing force



DESIGNED FOR SECONDARY DEMOLITION, KINSHOFER STATIC PULVERIZERS CAN BOTH BREAK UP REINFORCED CONCRETE STRUCTURES AND SEPARATE THE STEEL.

**NEW**

PRODUCT

ALL THE PARTS THAT MOSTLY UNDERGO WEARING ARE EASILY REPLACEABLE

SPEED VALVE

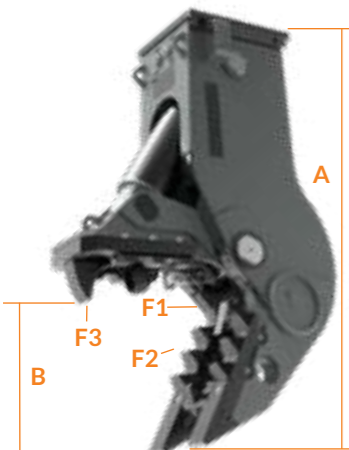


# FPK SERIES

### Application Fields



### TECHNICAL DRAWING



Models		FPK16	FPK21	FPK32	FPK42
Carrier weight	t	15-25	20-35	27-45	35-60
Weight	kg	1600	2000	3000	4000
Excavator oil flow capacity	l/min	140-200	200-250	220-280	260-340
Excavator working pressure	bar	350	350	350	350
A	mm	2090	2230	2450	2750
B	mm	745	840	980	1200
Steel blade length	mm	200	200	300	300
F1	t	240	285	355	415
F2	t	100	125	155	200
F3	t	70	80	95	110
Ø Max	mm	35	45	55	70

All illustrations and numerical data in this catalog are purely indicative and subject to change at our discretion and without notice. We therefore reserve the right to modify them with a view to improving and continuously developing our product.



# 2-CYLINDER CONCRETE CRUSHERS

for excavators from 1 to 80 ton

## Not even the hardest job can withstand the MCK!

- Double motors for an excellent rotation and high power (MCK20 up).
- Double-turn ball bearing (MCK20 up).
- Jaws highly resistant.
- High cutting power.
- Cylinders fully protected from possible debris during demolition.



"A" JAW



MCK01



"F" JAW - CRUSHER

# MCK SERIES

### Application Fields



NEW

Models		MCK01	MCK03-A	MCK06-A	MCK03-F	MCK06-F	MCK10-F
Carrier weight	t	1-4	3-9	7-15	3-9	7-15	10-17
Weight	kg	190	300	650	300	650	1200
Closing force	t**	38	50	60	50	60	70
Jaw opening	mm	390	400	680	400	680	780
Jaw depth	mm	400	430	600	430	600	690
Width upper jaw	mm	50	40	45	40	45	50
Height	mm	980	1150	1500	1150	1500	1800
Length of cutting blades	mm	100	100	165	100	165	200
Opening/Closing Pmax	bar*	220	260	320	260	320	320
Flow	l/min	20-50	30-50	70-120	30-50	70-120	90-150
Rotation Pmax	bar	120	100	100	100	100	140
Flow	l/min	10-25	10-30	10-30	10-30	10-30	40-60
Back pressure max.	bar	-	-	-	-	-	-
Cycle time Opening/Closing	sec	1.8/2.5	1.8/2.5	2.2/3.0	1.8/2.5	2.2/3.0	2.4/3.1

### EXCAVATORS WITH WEIGHT FROM 1 TO 4 ton.

For excavators with remote control ( with sabilisers )



### A JAW APPLIES TO MCK 03/06/10

All illustrations and numerical data in this catalog are purely indicative and subject to change at our discretion and without notice.

We therefore reserve the right to modify them with a view to improving and continuously developing our product.

# 2-CYLINDER CONCRETE CRUSHERS

for excavators from 1 to 80 ton

## Not even the hardest job can withstand the MCK!

- Double motors for an excellent rotation and high power (MCK20 up).
- Double-turn ball bearing (MCK20 up).
- Jaws highly resistant.
- High cutting power.
- Cylinders fully protected from possible debris during demolition.

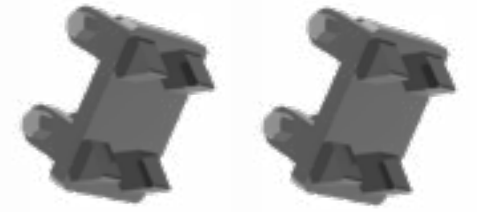


"A" JAW

USED FOR CUTTING AND CRUSHING CONCRETE WITH STEEL REINFORCEMENT AND FOR CUTTING STEEL STRUCTURES, THE KINSHOFER CONCRETE CRUSHER HAS BEEN DEVELOPED FOR PRIMARY AND SECONDARY DEMOLITION.



"L" JAW-WOOD CUTTER



MCK15-F Crushing kit

- Hydraulic system fully protected by the frame
- Perfect jaws geometry ensures that blades remain sharp longer
- Wearing jaws and blades easily replaceable on site
- Customized jaws are available for every customer need \*optional

# MCK SERIES

### Application Fields



Mining & Quarrying



Demolition & Renovation



Construction



Metallurgical Industry



Recycling

Models		MCK10-A	MCK15-A	NEW MCK15-L	NEW MCK15-F	MCK20-A	MCK25-A	MCK35-A	Models	MCK45-A	MCK60-A	MCK75-A	
		Carrier weight	t	10-17	14-20	14-20	14-20	18-25		20-35	25-45	Carrier weight	t
Weight	kg	1200	1400	1400	1400	2000	2425	3250	Weight	kg	4200	5300	6300
Closing force	t**	70	78	78	78	84	96	108	Closing force	t**	124	144	160
Jaw opening	mm	780	825	854	825	1000	1150	1360	Jaw opening	mm	1500	1600	1750
Jaw depth	mm	690	780	780	780	865	935	1335	Jaw depth	mm	1135	1235	1350
Width upper jaw	mm	50	55	55	55	60	70	80	Width upper jaw	mm	90	100	100
Height	mm	1800	1980	1980	1980	2195	2390	2545	Height	mm	2845	2995	3225
Length of cutting blades	mm	200	200	200	200	200	250	300	Length of cutting blades	mm	300	300	400
Opening/Closing Pmax	bar*	320	320	320	320	320	320	320	Opening/Closing Pmax	bar*	320	320	320
Flow	l/min	90-150	110-170	110-170	110-170	150-250	200-300	250-350	Flow	l/min	300-500	400-600	500-700
Rotation Pmax	bar	140	140	140	140	140	140	140	Rotation Pmax	bar	140	140	200
Flow	l/min	40-60	40-60	40-60	40-60	40-60	40-60	40-60	Flow	l/min	40-60	40-60	60
Back pressure max.	bar	-	-	-	-	-	-	-	Back pressure max.	bar	-	-	10**
Cycle time Opening/Closing	sec	2.4/3.1	2.3/3.0	2.3/3.0	2.3/3.0	2.3/3.0	2.5/3.4	3.3/3.6	Cycle time Opening/Closing	sec	3.2/3.4	2.8/3.9	2.8/3.8



F JAW APPLIES TO MCK15-F

All illustrations and numerical data in this catalog are purely indicative and subject to change at our discretion and without notice. We therefore reserve the right to modify them with a view to improving and continuously developing our product.



# 2-CYLINDER CONCRETE CRUSHERS

for excavators from 1 to 80 ton

## Not even the hardest job can withstand the MCK!

- Double motors for an excellent rotation and high power (MCK20 up).
- Double-turn ball bearing (MCK20 up).
- Jaws highly resistant.
- High cutting power.
- Cylinders fully protected from possible debris during demolition.



USED FOR CUTTING AND CRUSHING CONCRETE WITH STEEL REINFORCEMENT AND FOR CUTTING STEEL STRUCTURES, THE KINSHOFER CONCRETE CRUSHER HAS BEEN DEVELOPED FOR PRIMARY AND SECONDARY DEMOLITION.



- Hydraulic system fully protected by the frame
- Perfect jaws geometry ensures that blades remain sharp longer
- Wearing jaws and blades easily replaceable on site
- Customized jaws are available for every customer need \*optional

# MCK SERIES

"C" JAW

### Application Fields



Mining & Quarrying



Demolition & Renovation



Construction



Metallurgical Industry



Recycling

Models		MCK10-C	MCK15-C	MCK20-C	MCK25-C	MCK35-C	MCK45-C
Carrier weight	t	10-17	14-20	18-25	20-35	25-45	35-55
Weight	kg	1200	1400	2100	2425	3300	4320
Closing force	t**	70	78	84	96	108	124
Jaw opening	mm	780	825	1000	1150	1360	1500
Jaw depth	mm	690	780	865	935	1335	1135
Width upper jaw	mm	50	55	60	70	80	90
Height	mm	1800	1980	2195	2390	2545	2845
Length of cutting blades	mm	200	200	200	250	300	300
Opening/Closing Pmax	bar*	320	320	320	320	320	320
Flow	l/min	90-150	110-170	150-250	200-300	250-350	300-500
Rotation Pmax	bar	140	140	140	140	140	140
Flow	l/min	40-60	40-60	40-60	40-60	40-60	40-60
Back pressure max.	bar	-	-	-	-	-	-
Cycle time Opening/Closing	sec	2.4/3.1	2.3/3.0	2.3/3.0	2.5/3.4	3.3/3.6	3.2/3.4

Models		MCK60-C	MCK75-C
Carrier weight	t	50-70	60-80
Weight	kg	5440	6300
Closing force	t**	144	160
Jaw opening	mm	1600	1700
Jaw depth	mm	1235	1350
Width upper jaw	mm	100	100
Height	mm	2995	3225
Length of cutting blades	mm	300	400
Opening/Closing Pmax	bar*	320	320
Flow	l/min	400-600	500-700
Rotation Pmax	bar	140	200
Flow	l/min	40-60	60
Back pressure max.	bar	-	10**
Cycle time Opening/Closing	sec	2.8/3.9	2.8/3.8



C JAW

All illustrations and numerical data in this catalog are purely indicative and subject to change at our discretion and without notice. We therefore reserve the right to modify them with a view to improving and continuously developing our product.



# 2-CYLINDER CONCRETE CRUSHERS

for excavators from 1 to 80 ton

## Not even the hardest job can withstand the MCK!

- Double motors for an excellent rotation and high power (MCK20 up).
- Double-turn ball bearing (MCK20 up).
- Jaws highly resistant.
- High cutting power.
- Cylinders fully protected from possible debris during demolition.



USED FOR CUTTING AND CRUSHING CONCRETE WITH STEEL REINFORCEMENT AND FOR CUTTING STEEL STRUCTURES, THE KINSHOFER CONCRETE CRUSHER HAS BEEN DEVELOPED FOR PRIMARY AND SECONDARY DEMOLITION.



- Hydraulic system fully protected by the frame
- Perfect jaws geometry ensures that blades remain sharp longer
- Wearing jaws and blades easily replaceable on site
- Customized jaws are available for every customer need \*optional

# MCK SERIES

"D" JAW

### Application Fields



Models		NEW MCK20-D	NEW MCK25-D	NEW MCK35-D	NEW MCK45-D	NEW MCK60-D	NEW MCK75-D
Carrier weight	t	18-25	20-35	25-45	35-55	50-70	60-80
Weight	kg	2100	2425	3300	4320	5440	6300
Closing force	t**	84	96	108	124	144	160
Jaw opening	mm	980	1125	1355	1490	1565	1710
Jaw depth	mm	865	935	1335	1135	1235	1350
Width upper jaw	mm	60	70	80	90	100	100
Height	mm	2195	2390	2545	2845	2995	3225
Length of cutting blades	mm	200	250	300	300	300	400
Opening/Closing Pmax	bar*	320	320	320	320	320	320
Flow	l/min	150-250	200-300	250-350	300-500	400-600	500-700
Rotation Pmax	bar	140	140	140	140	140	200
Flow	l/min	40-60	40-60	40-60	40-60	40-60	60
Back pressure max.	bar	-	-	-	-	-	10**
Cycle time Opening/Closing	sec	2.3/3.0	2.5/3.4	3.3/3.6	3.2/3.4	2.8/3.9	2.8/3.8



D JAW

All illustrations and numerical data in this catalog are purely indicative and subject to change at our discretion and without notice. We therefore reserve the right to modify them with a view to improving and continuously developing our product.

# ROTATING PULVERIZERS

for excavators from 1.5 to 32 ton

## No limits to demolition

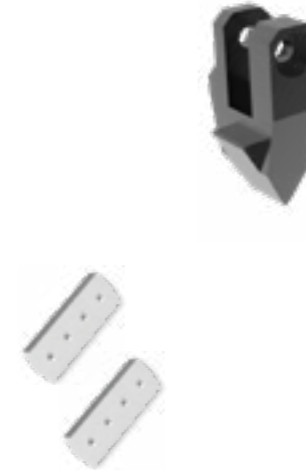
- Rotation 360°
- Integrated "relief" valve to avoid pressure peaks on the rotating motor
- Double-turn ball bearing (from model FR15 up)
- Double motor for extra power and precision (from model FR15 up)
- Excellent speed/power to weight ratio
- Cylinder fully protected from possible debris during demolition
- Designed and built to achieve more power



THE ROTARY PULVERIZERS OF THE NEW FR SERIES HAVE BEEN DEVELOPED FOR PRIMARY AND SECONDARY DEMOLITION. THE JAWS ARE DESIGNED FOR EACH APPLICATION AREA.

ALL THE PARTS THAT MOSTLY UNDERGO WEARING ARE EASILY REPLACEABLE

PRESSURE UP TO 300 BAR  
SPEED VALVE (optional from model FR15 up)



# FR SERIES

### Application Fields



Mining & Quarrying



Demolition & Renovation



Construction

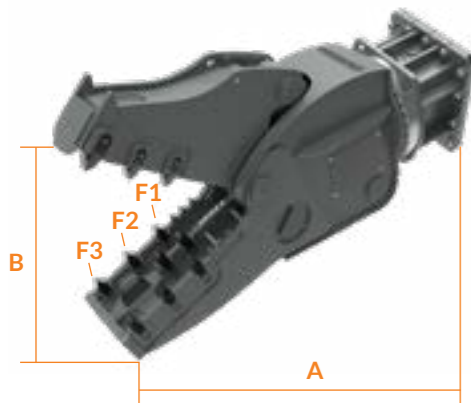


Metallurgical Industry



Recycling

### TECHNICAL DRAWING



All illustrations and numerical data in this catalog are purely indicative and subject to change at our discretion and without notice. We therefore reserve the right to modify them with a view to improving and continuously developing our product.

Models		KFR04	KFR07	KFR09
Carrier weight	t	5-10	8-13	11-15
Weight	kg	550	790	950
Excavator oil flow capacity	l/min	50-70	60-100	70-110
Excavator working pressure	bar	280	300	300
360° Rotation	°	360°	360°	360°
Rotation oil flow capacity	l/min	5-8	5-8	5-8
Rotation Pressure	bar	100	100	100
A	mm	1400	1570	1600
B	mm	440	600	650
Steel blade length	mm	160	160	160
F1	t	100	115	140
F2	t	50	55	65
F3	t	30	35	40
Ø Max	mm	20	25	25

Models		KFR12	KFR15	KFR21	KFR26
Carrier weight	t	14-18	16-22	18-27	24-32
Weight	kg	1450	1700	2050	2500
Excavator oil flow capacity	l/min	110-160	140-200	180-230	200-300
Excavator working pressure	bar	300	300	300	300
360° Rotation	°	360°	360°	360°	360°
Rotation oil flow capacity	l/min	20-25	20-30	20-30	20-30
Rotation Pressure	bar	70	70	70	70
A	mm	1850	1950	2200	2300
B	mm	680	710	800	920
Steel blade length	mm	200	200	200	200
F1	t	180	195	234	250
F2	t	110	120	135	140
F3	t	57	65	80	85
Ø Max	mm	35	40	45	50





# HYDRAULIC SCRAP SHEARS

for excavators from 2 to 100 ton

## Scraps are running out of time...

- Extremely high cutting power and optimal performance/weight ratio.
- Double motors for an excellent rotation and high power.
- Cylinder fully protected from possible debris during demolition.
- Body and jaws made of wear resistant steel.
- Double-turn ball bearing (from model KSC22 up).
- Strong jaw guiding system.
- Blades made of indexable steel 4 or 8 times.



THE KINSHOFER KSC SCRAP SHEARS ARE DESIGNED TO ACHIEVE AN OPTIMAL POWER TO WEIGHT RATIO.

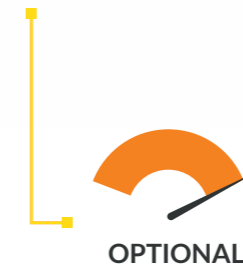
ALL THE PARTS THAT MOSTLY UNDERGO WEARING ARE EASILY REPLACEABLE

SPEED VALVE (OPTIONAL \*FROM MODEL KSC22 UP)



- Optimized pin stops
- Replaceable tip
- Specific design
- Use of more performing materials
- Rotation 360°

ENHANCED ROTATION SYSTEM (DOUBLE MOTOR WITH FILTER)



PRESSURE UP TO 350 BAR

# KSC SERIES

### Application Fields



Mining & Quarrying



Demolition & Renovation



Construction



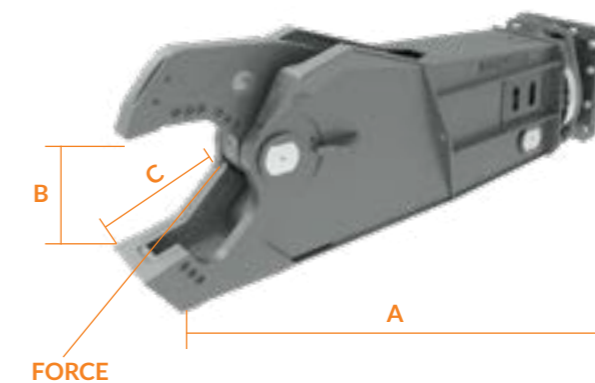
Metallurgical Industry



Recycling

Models		KSC03	KSC06	KSC11	KSC22	KSC32	KSC42	KSC52	KSC62	KSC72
Excavator weight - stick mounting	t	3-8	5-12	10-20	14-28	20-35	32-55	45-65	60-70	75-100
Excavator weight - boom mounting	t	2-5	3-8	7-14	12-21	20-30	25-40	35-55	35-40	45-55
Weight	kg	300	480	1100	2150	3100	4100	5000	6200	7900
Excavator oil flow capacity	l/min	80-100	70-100	150-200	150-250	200-300	300-400	350-450	400-500	450-600
Excavator working pressure	bar	280	250	280	320	320	350	350	350	350
360° rotation	°	360°	360°	360°	360°	360°	360°	360°	360°	360°
Rotation oil flow capacity	l/min	5	20-30	20-30	40-60	40-60	40-60	40-60	25/50	70
Rotation Pressure	bar	120	80	140	140	140	140	140	140	140
A	mm	1330	1880	2210	2570	2720	3050	3400	3905	4190
B	mm	265	350	430	490	570	620	660	780	845
C	mm	230	348	480	470	490	540	585	690	710
Cutting Force**	kn	1850	2750	3800	4650	6300	7550	9550	9000	12000
Ø Max	mm	25	30	45	70	90	100	110	125	135
■	mm	22	25	35	60	80	90	100	110	120
—	mm	5	6	10	15	20	22	25	28	30
I	mm	80	100	200	300	400	450	500	550	600
H	mm	60	70	140	200	260	280	310	330	350

### TECHNICAL DRAWING



\*All illustrations and numerical data in this catalog are purely indicative and subject to change at our discretion and without notice. We therefore reserve the right to modify them with a view to improving and continuously developing our product.



# MOBILE RAIL CUTTER

for excavators from 22 to 35 ton



## Cut in the right way!

- Large heavy duty bearings for reduced bushing wear.
- Housing made of extremely resistant special steel.
- Heavy duty 360° rotation.



THE MOBILE KINSHOFER RAIL CUTTER RC30 IS A SPECIAL DEVELOPMENT FOR THE CONTROLLED DEMOLITION OF RAIL SYSTEMS AND FOR THE SCRAP PREPARATION OF RAILWAY LINES.

ALL CURRENT VIGNOL RAILS (FLAT BOTTOM RAILS) WITH A STANDARD QUALITY UP TO 900 N/MM2 AND A PROFILE SIZE „S7“ TO „UIC 60“ CAN BE CUT. VIGNOL RAILS IN SPECIAL QUALITIES EXCEEDING 900 N/MM2 OR WITH HEAD HARDENING ARE EXCLUDED. THE WEAR OF THE CUTTERS HIGHLY DEPENDS ON THE QUALITY OF THE RAILS.

PRESSURE UP TO 350 BAR

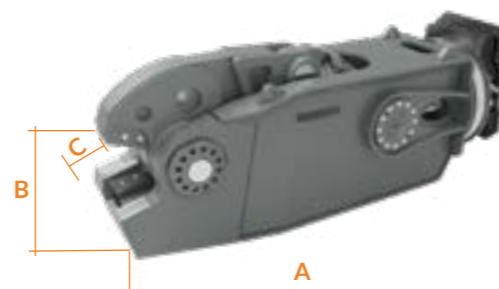
# RC SERIES

### Application Fields



Models		RC30
Excavator weight	t	22-35
Weight	kg	2650
A	mm	2335
B	mm	225
C	mm	190
360° rotation	°	360°
Operating pressure (open/close)	bar	350
Operating pressure (rotate)	bar	140
Back pressure	bar	5
Recommended oil flow (open/close)	l/min	150-250
Recommended oil flow (rotate)	l/min	18-25

### TECHNICAL DRAWING



*\*All illustrations and numerical data in this catalog are purely indicative and subject to change at our discretion and without notice. We therefore reserve the right to modify them with a view to improving and continuously developing our product.*



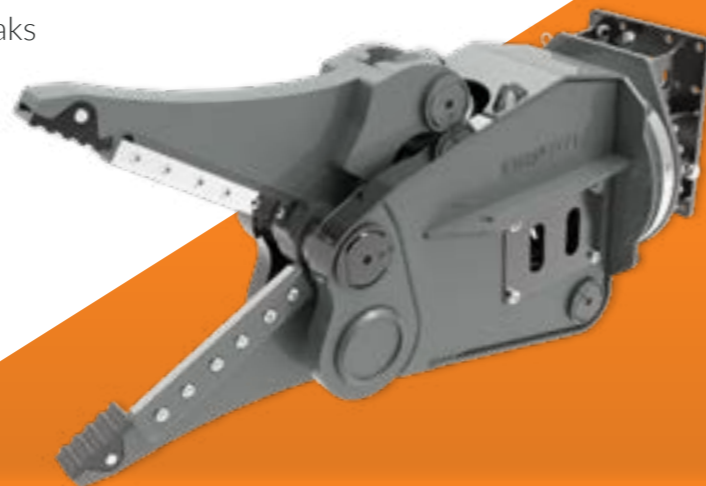
# VEHICLE DISMANTLER

for excavators from 9 to 23 ton



## Ready, set, cut!

- Rotation 360°
- Integrated “relief” valve to avoid pressure peaks on the rotating motor
- Excellent speed/power to weight ratio
- Cylinder fully protected from possible debris during demolition



- Easily interchangeable and reversible blades
- Straight blades for a smooth and precise cut
- Sharp jaws allow components to be removed from vehicles

**CS**  
SERIES

### Application Fields



Mining & Quarrying



Demolition & Renovation



Construction

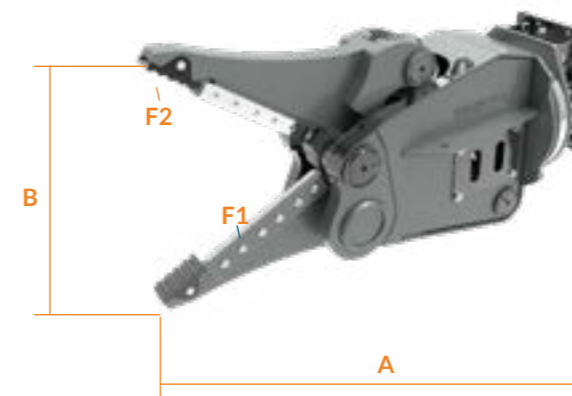


Metallurgical Industry



Recycling

Models		NEW	NEW
		CS10	CS17
Carrier weight	t	9-17	14-23
Weight	kg	980	1650
Excavator oil flow capacity	l/min	70-110	140-200
Excavator working pressure	bar	320	350
360° Rotation	°	360°	360°
Rotation oil flow capacity	l/min	20-40	40-60
Rotation Pressure	bar	100	140
A	mm	1794	2020
B	mm	753	870
Total Steel blade length	mm	450	520
F1	t	80	195
F2	t	41	120



*\*All illustrations and numerical data in this catalog are purely indicative and subject to change at our discretion and without notice. We therefore reserve the right to modify them with a view to improving and continuously developing our product.*

# MULTI-PURPOSE GRABS

for excavators from 1 to 52 ton

## Grab up everything!

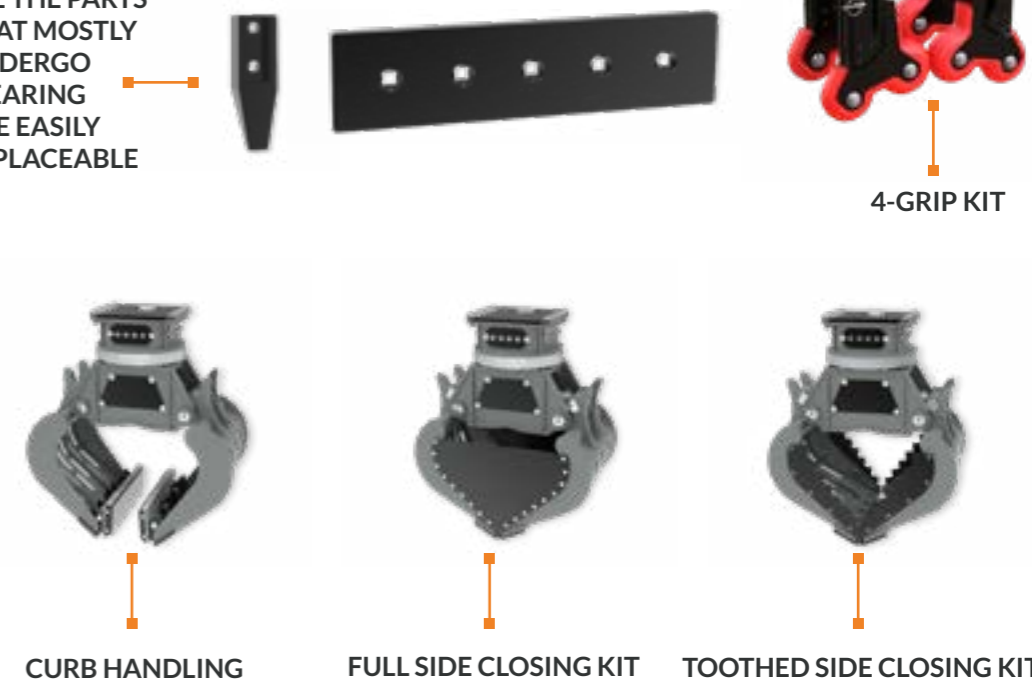
- Replaceable wear plates (400hb).
- Robust and fully integrated rotation.
- Relief valve for hydraulic rotation.
- Cylinder fully protected from possible debris during demolition.
- Opening/Closing lock valve \*optional.
- Kit for two hydraulic lines system (GR15-GR75) \*Optional.  
This kit can only be purchased at the moment of the order. It is not possible to add this kit after the product installation.



THE NEW MULTI PURPOSE GRABS OF GR SERIES ARE DESIGNED FOR HANDLING, RECYCLING AND SMALL DEMOLITIONS.

ALL THE PARTS THAT MOSTLY UNDERGO WEARING ARE EASILY REPLACEABLE

HIGH CLOSING FORCE



# KGR SERIES

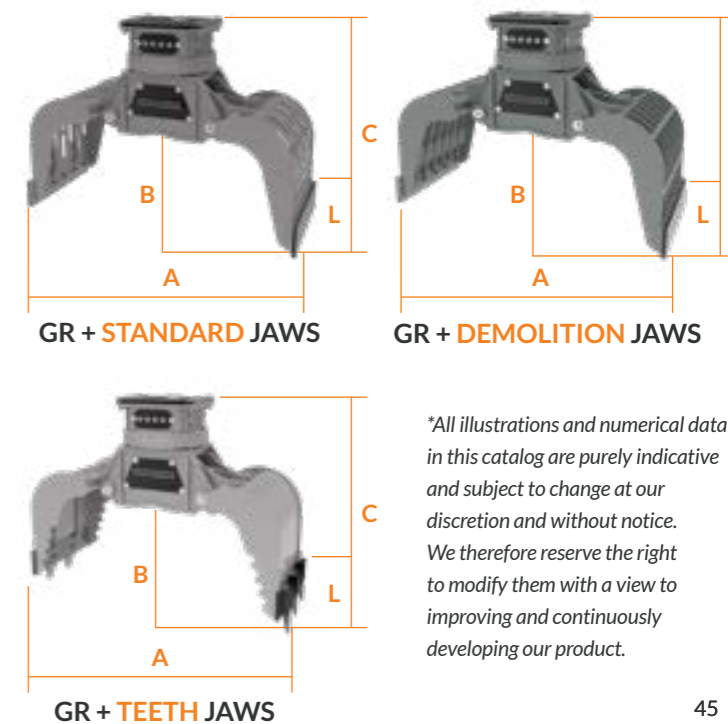
## Application Fields



Models		NEW							
		GR10	GR15	GR25	GR45	GR75	GR100	GR150	GR210
Carrier weight	t	1-3	1.5-4	4-7	5-12	7-16	13-19	17-30	24-35
Weight + Standard Jaw	kg	93	145	240	480	700	1000	1500	1890
Weight + Demolition Jaw	kg	/	155	310	560	980	1380	1750	2030
Weight + Teeth Jaw	kg	/	155	245	480	710	1000	1510	/
Excavator oil flow capacity	l/min	14	15	20	25	45	50	75	170
Excavator working pressure	bar	180	200	250	250	250	300	300	310
360° Rotation	°	360°	360°	360°	360°	360°	360°	360°	360°
Rotation oil flow capacity	l/min	8-16	10-20	10-20	15-25	15-25	40-60	40-60	30
Rotation Pressure	bar	80	100	100	100	100	100	100	210
A	mm	700	925	1170	1500	1635	1780	1950	2400
B	mm	270	300	370	470	520	570	675	690
C	mm	680	700	825	1045	1130	1225	1550	1450
L	mm	300	400	500	600	700	800	1020	1205

Models		NEW	
		GR260	GR300
Carrier weight	t	28-45	35-50
Jaw	kg	2480	2790
Weight + Demolition Jaw	kg	2715	3480
v	kg	/	/
Excavator oil flow capacity	l/min	200	200
pressure	bar	310	310
360° Rotation	°	360°	360°
Capacity	l/min	30	30
Rotation Pressure	bar	210	210
B	mm	700	759
	mm	1660	1750
L	mm	1205	1500

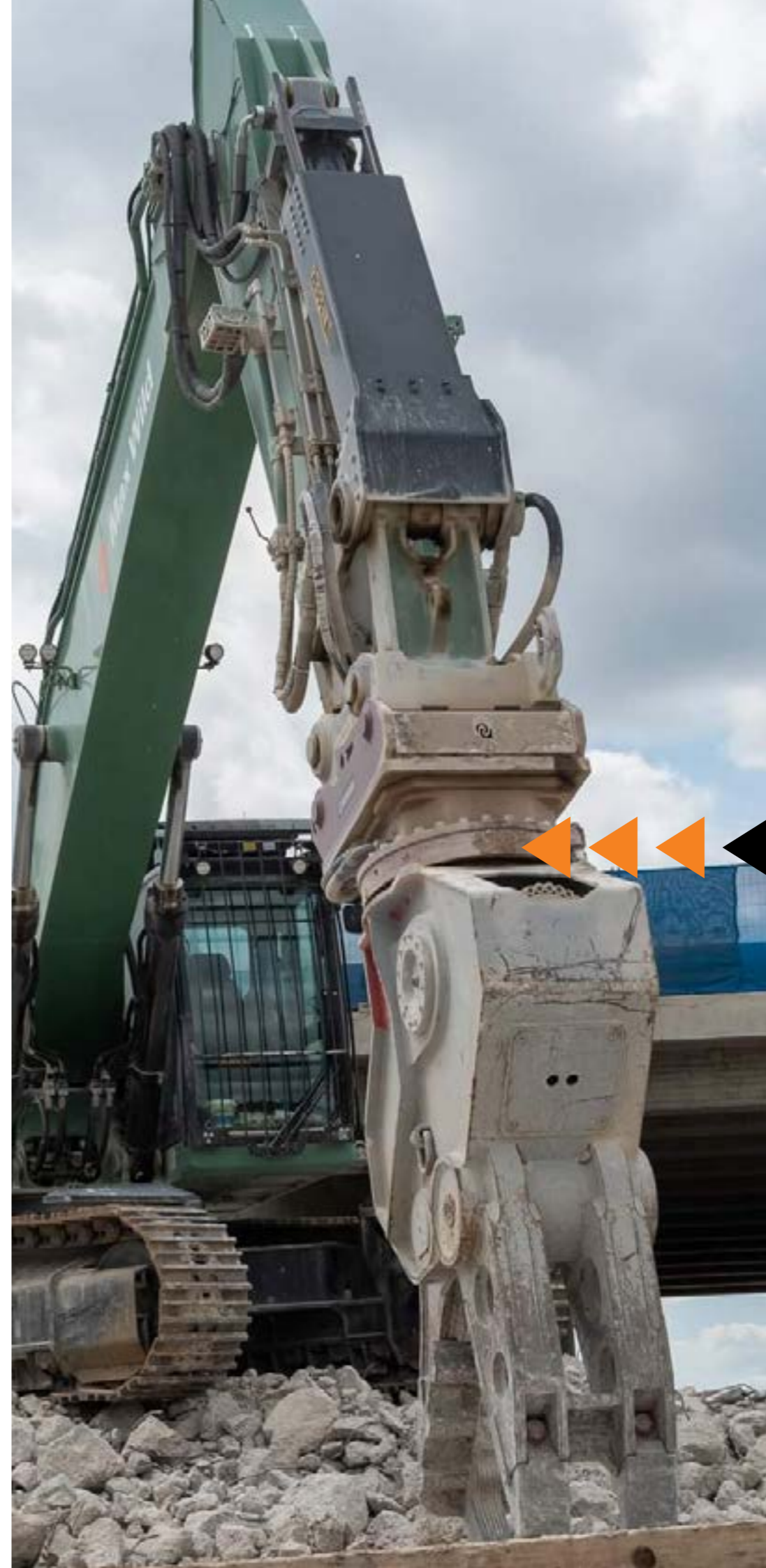
## TECHNICAL DRAWING



\*All illustrations and numerical data in this catalog are purely indicative and subject to change at our discretion and without notice. We therefore reserve the right to modify them with a view to improving and continuously developing our product.



**19 COMPANIES AND 11 BRANDS**



**WITH  
OUR PASSION  
ALWAYS  
AT YOUR  
SERVICE**





Via Oleifici  
dell'Italia Meridionale, Lotto G1 Z.I.  
70056, Molfetta BA, Italy  
[info@hammer-europe.com](mailto:info@hammer-europe.com)  
T. +39 080 337 53 17

2024v2

