

GS/L G RA 25S2 1150X685

Galvanised hand pallet truck (2.500 kg)



MR HYDRO

Mr. Hydro series, which is available in numerous versions, is the ideal tool to handle loads in humid and damp conditions. In particular the "inox" version is suitable for environments where high hygienic standards are enforced, such as the chemical, pharmaceutical or food & beverage industry.



GS/G

The galvanized pallet truck offers good resistance to corrosion thanks to the hot dip galvanizing process of the frame and the handle.

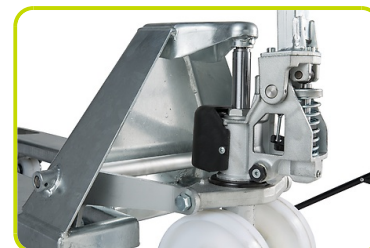


ANTI RUST COATING HYDRAULIC PUMP

Resistant and reliable one piece cast iron pump with GEOMET® surface coating treatment to prevent rust pitting and corrosion damages.

Worked with numerical control machine, it includes:

- **MAXIMUM PRESSURE VALVE:** safety device that ensures the transpallet against overloads. When the pressure inside the hydraulic circuit exceeds the calibration value according to the maximum nominal flow, the valve automatically locks the forks.
- **PROPORTIONAL LOWERING VALVE:** lowering speed can be proportionally controlled according to the lever position on the tiller. Perfect working tool to carry fragile and delicate loads like crystal, glass and ceramics.



STANDARD CONFIGURATION

- Nylon steering wheels
- Nylon rollers
- 2 Curves handle with all the controls (lowering / drive position / lifting) available in a single lever for simple and safe control
- Entry/exit rollers. Supplementary rollers allow easier entrance and quicker exit from a closed pallet, reducing the impact on main rollers and guaranteeing longer life



Descrição

1.1 Fabricante			PR INDUSTRIAL
1.3 Acionamento			Manual
1.4 Tipo de Operador			Pedestre
1.5 Capacidade de carga	Q	Kg	2500
1.6 Centro de distância de carga	c	mm	600
1.8 Carga do eixo ao final dos garfos	x	mm	932
1.9 Base de roda	y	mm	1192

Peso

2.1 Peso de Serviço		Kg	66
2.2 Carga do Eixo - Frente Próxima		Kg	1795
2.2 Carga do eixo - frente carregada		Kg	771
2.3 Carga do eixo - frente vazia		Kg	20
2.3 Carga do eixo - frente vazia		Kg	46

Estrutura/Rodas

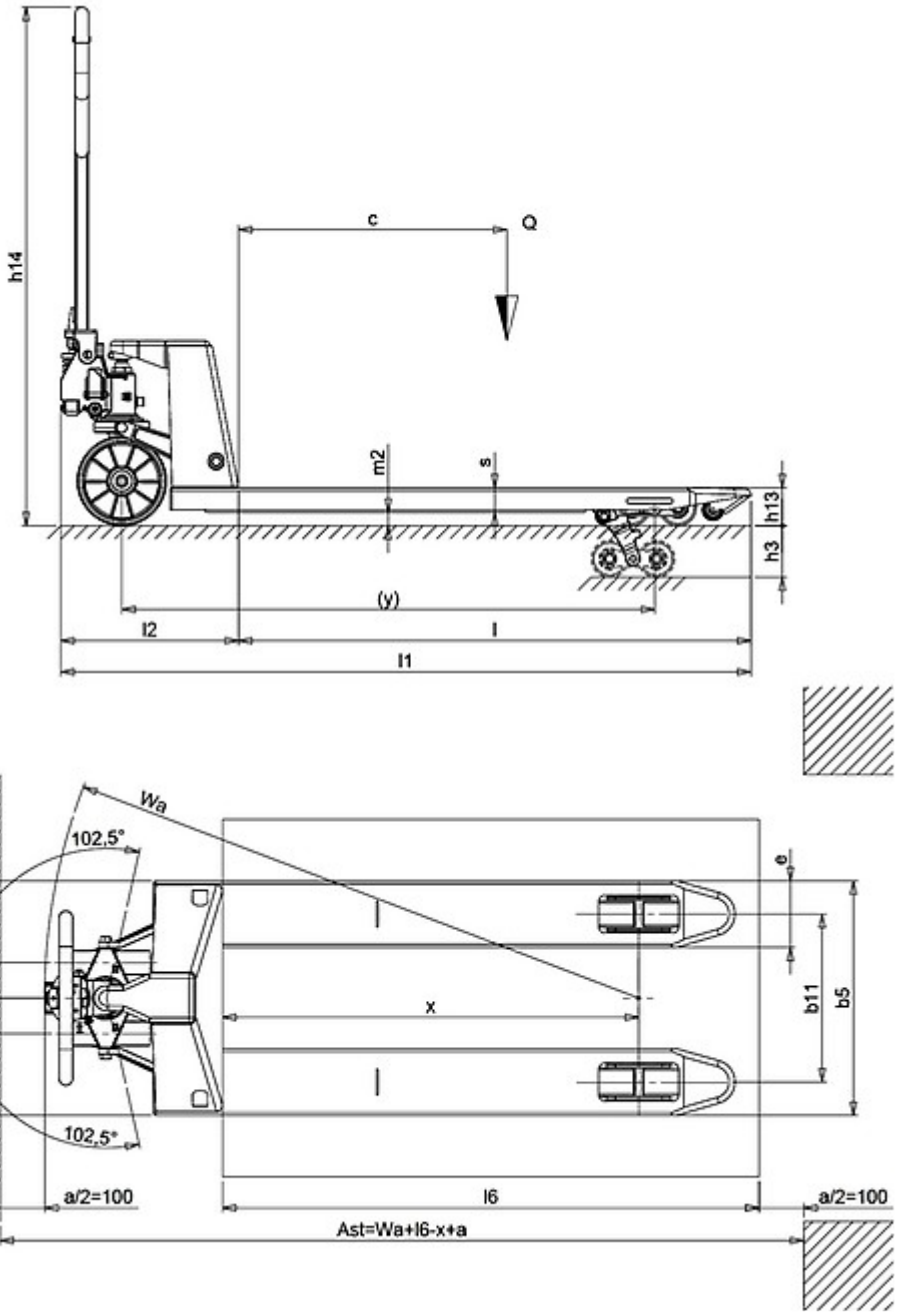
3.1 Kola sterujaçe			NYLON
3.1 Rodas: Rolos de carga			NYLON
3.2 Tamanho do Pneu: Volantes - Diâmetro		mm	200
3.2 Tamanho do pneu: Volantes - Largura		mm	50
3.3 Tamanho do pneu: Rolos de carga - Diâmetro		mm	82
3.3 Tamanho do Pneu: Rolos de Carga - Largura		mm	82
3.5 Dimensão dos pneus: rodas traseiras - Qtd. (X=livre)		nr	4
3.5 Eixo Traseiro de Equilíbrio			No
3.6 Piso da Frente		b10 mm	155
3.7 Traseira do Piso		b11 mm	535

Dimensões

4.4 Altura da Elevação		h3 mm	115
4.9 Altura Maxima em Posição de Movimento		h14 mm	1160
4.15 Altura, Baixo		h13 mm	85
4.19 Comprimento Total		l1 mm	1550
4.20 Comprimento dos Garfos		l2 mm	400
4.21 Largura Total		b1 mm	685
4.22 Garfos - Espessuras		s mm	55
4.22 Garfos - Largura		e mm	150
4.22 Garfos - Comprimentos		l mm	1150
4.25 Distância Entre Garfos		b5 mm	685
4.32 Ao Solo, Centro de Distância Entre os Eixos		m2 mm	30
4.34 Largura do Corredor		Ast mm	1835
4.35 Raio do Ângulo		Wa mm	1367

Desempenho

5.2 Velocidade de Elevação Carregado		strokes	13
5.2 Velocidade de Elevação Descarregado		strokes	13



The information is aligned with the Data file at the time of download. Printed on 08/06/2020 (ID 9153)

©2019 | PR INDUSTRIAL s.r.l. | All rights reserved | Image shown may not reflect actual package. Specifications subject to change without notice

