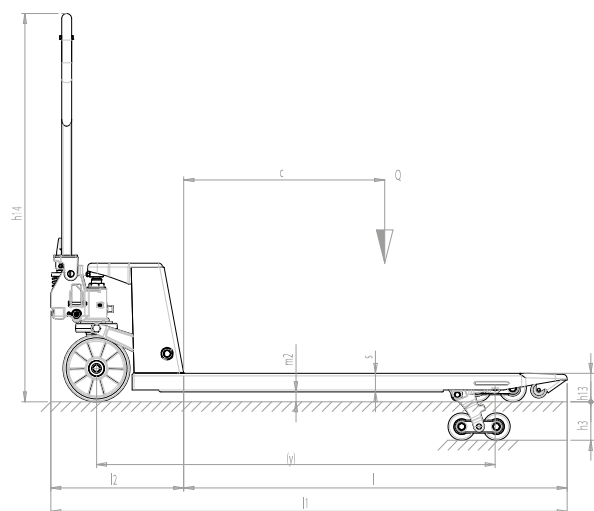
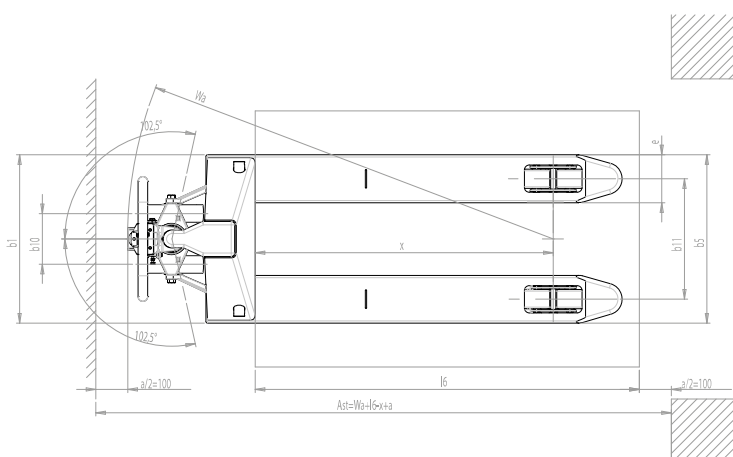


Manual Trucks



| DESCRIPTION | | GS BASIC 22 S2-S4 | GS PRO 25 S2-S4 | GS PREMIUM 25 S2-S4 | GS/AV PRO 25 S2-S4 | GS PRO 30 S4 | GS/L PRO 25 S2-S4 | GS/M PRO 25 S2-S4 | GS B 20 S4 | |
|------------------|---|----------------------|--------------------|------------------------|-----------------------|-----------------|----------------------|----------------------|---------------|-------------|
| 1.2 | MODEL | | | | | | | | | |
| 1.3 | DRIVE | MANUAL | MANUAL | MANUAL | MANUAL | MANUAL | MANUAL | MANUAL | MANUAL | |
| 1.4 | OPERATOR TYPE | PEDESTRIAN | PEDESTRIAN | PEDESTRIAN | PEDESTRIAN | PEDESTRIAN | PEDESTRIAN | PEDESTRIAN | PEDESTRIAN | |
| 1.5 | LOAD CAPACITY | Q kg | 2200 | 2500 | 2500 | 3000 | 2500 | 2500 | 2000 | |
| 1.6 | LOAD CENTRE DISTANCE | c mm | 600 | 600 | 600 | 600 | 600 | 400 | 600 | |
| 1.8 | LOAD DISTANCE, CENTRE OF DRIVE AXLE TO FORK | x mm | 932 | 932 | 932 | 932 | 932 | 582 | 945 | |
| 1.9 | WHEEL BASE | y mm | 1192 | 1192 | 1192 | 1192 | 1192 | 842 | 1192 | |
| WEIGHTS | | | | | | | | | | |
| 2.1 | SERVICE WEIGHT | kg | 61-63 | 61-63 | 63-65 | 61-63 | 79 | 66-68 | 52-54 | 71 |
| 2.2 | AXLE LOAD LADEN, FRONT/REAR | kg | 655/1606-1608 | 767/1794-1796 | 739/1824-1826 | 738/1823-1825 | 889/2190 | 771/1795-1797 | 691/1861-1863 | 693/1378 |
| 2.3 | AXLE LOAD UNLADEN, FRONT/REAR | kg | 42/19-21 | 42/19-21 | 43/20-22 | 42/19-21 | 53/26 | 46/20-22 | 35/17-19 | 48/23 |
| TYRES/CHASSIS | | | | | | | | | | |
| 3.1 | TYRES | | P/N | P/N | P/P | P/N | P/N | P/N | P/A | |
| 3.2 | TYRE SIZE, FRONT (Ø x width) | | 200x45 | 200x55 | 200x55 | 200x55 | 200x55 | 200x55 | 200x55 | |
| 3.3 | TYRE SIZE, REAR (Ø x width) | | 82x82-60 | 82x82-60 | 82x82-60 | 82x82-60 | 82x82-60 | 82x82-60 | 50x58 | |
| 3.4 | SIDE WHEELS (Ø x width) | | - | - | - | - | - | - | - | |
| 3.5 | WHEELS, NUMBER (x=DRIVEN) FRONT/REAR | | 2/2-2/4 | 2/2-2/4 | 2/2-2/4 | 2/2-2/4 | 2/4 | 2/2-2/4 | 2/2-2/4 | 2/4 |
| 3.6 | TREAD, FRONT | b10 mm | 155 | 155 | 155 | 155 | 155 | 155 | 130 | |
| 3.7 | TREAD, REAR | b11 mm | 375 | 375 | 375 | 375 | 375 | 535 | 250 | 365 |
| DIMENSIONS | | | | | | | | | | |
| 4.4 | LIFT | h3 mm | 115 | 115 | 115 | 115 | 115 | 115 | 115 | |
| 4.9 | HEIGHT OF TILLER IN DRIVE POSITION MIN/MAX | h14 mm | 690/1160 | 690/1160 | 690/1160 | 415/1250 | 690/1160 | 690/1160 | 690/1160 | |
| 4.15 | HEIGHT, LOWERED | h13 mm | 85 | 85 | 85 | 85 | 85 | 85 | 55 | |
| 4.19 | OVERALL LENGTH | l1 mm | 1550 | 1550 | 1550 | 1550 | 1550 | 1550 | 1200 | 1550 |
| 4.20 | LENGTH TO FACE OF FORKS | l2 mm | 400 | 400 | 400 | 400 | 400 | 400 | 400 | |
| 4.21 | OVERALL WIDTH | b1 mm | 525 | 525 | 525 | 525 | 525 | 685 | 400 | 525 |
| 4.22 | FORK DIMENSIONS | s/e/l mm | 55/150/1150 | 55/150/1150 | 55/150/1150 | 55/150/1150 | 55/150/1150 | 55/150/1150 | 55/150/800 | 40/160/1150 |
| 4.25 | DISTANCE BETWEEN FORK ARMS | b5 mm | 525 | 525 | 525 | 525 | 525 | 685 | 400 | 525 |
| 4.32 | GROUND CLEARANCE, CENTRE OF WHEEL BASE | m2 mm | 30 | 30 | 30 | 30 | 30 | 30 | 30 | 15 |
| 4.34 | AISLE WIDTH FOR PALLETS 800x1200 LENGTHWISE | Ast mm | 1835 | 1835 | 1835 | 1835 | 1835 | 1835 | 1435 | 1822 |
| 4.35 | TURNING RADIUS | Wa mm | 1367 | 1367 | 1367 | 1367 | 1367 | 1367 | 1017 | 1367 |
| PERFORMANCE DATA | | | | | | | | | | |
| 5.2 | LIFT SPEED, LADEN/UNLADEN | strokes | 13/13 | 13/13 | 13/13 | 13/6 | 13/13 | 13/13 | 13/13 | 13/13 |

G = Rubber, N = Nylon, P = Polyurethane, A = Steel, NE = Nylon extra

| | | | | | | | | | | | | |
|---|-----|----|---------------|---------------|---------------|---------------|---------------|---------------|----------|----------|-----------|-----------|
| FORK LENGTH | l | mm | 600 | 800 | 950 | 1000 | 1150 | 1220 | 1350 | 1500 | 1800 | 2000 |
| LOAD CENTRE DISTANCE | c | mm | 300 | 400 | 475 | 500 | 600 | 610 | 675 | 750 | 900 | 1000 |
| WHEELS, NUMBER (x=DRIVEN) FRONT/REAR | | | 2/2-2/4 | 2/2-2/4 | 2/2-2/4 | 2/2-2/4 | 2/2-2/4 | 2/2-2/4 | 2/4 | 2/4 | 2/4 | 2/4 |
| OVERALL LENGTH | l1 | mm | 1000 | 1200 | 1350 | 1400 | 1550 | 1620 | 1750 | 1900 | 2200 | 2400 |
| LOAD DISTANCE, CENTRE OF DRIVE AXLE TO FORK | x | mm | 382 | 582 | 732 | 782 | 932 | 1002 | 1132 | 1282 | 1582 | 1782 |
| WHEEL BASE | y | mm | 642 | 842 | 992 | 1042 | 1192 | 1262 | 1392 | 1542 | 1842 | 2042 |
| SERVICE WEIGHT | kg | | 52-54 | 57-59 | 59-61 | 60-62 | 63-65 | 65-67 | 90 | 112 | 127 | 134 |
| AXLE LOAD LADEN, FRONT/REAR | kg | | 356/2196-2198 | 580/1017-1435 | 688/1871-1873 | 716/1844-1846 | 739/1824-1826 | 821/1744-1746 | 880/1710 | 929/1717 | 1002/1625 | 1037/1597 |
| AXLE LOAD UNLADEN, FRONT/REAR | kg | | 37/15-17 | 40/17-19 | 40/19-21 | 39/21-23 | 43/20-22 | 44/21-23 | 59/31 | 66/46 | 76/51 | 80/54 |
| TURNING RADIUS | Wa | mm | 817 | 1017 | 1167 | 1217 | 1367 | 1437 | 1567 | 1717 | 2017 | 2217 |
| AISLE WIDTH FOR PALLETS 800x1200-l LENGTHWISE | Ast | mm | 1235 | 1435 | 1585 | 1635 | 1835 | 1855 | 1985 | 2135 | 2435 | 2635 |