

# PCLX 320 & 400

COMPACTING

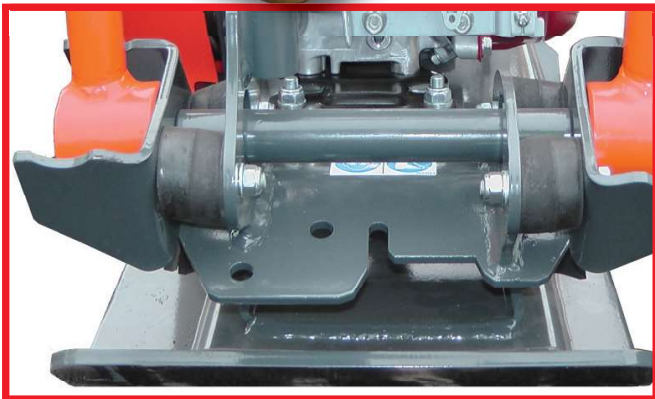
Midweight professional compaction plates with low Hand Arm Vibration and high performance compaction. The PCLX compaction plates are designed for contracting and rental usage.

**HONDA**

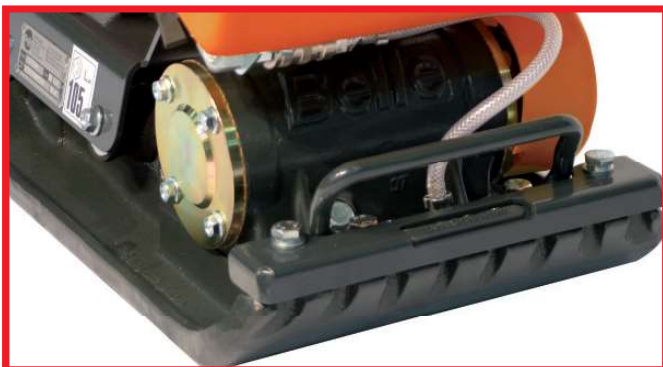


## FEATURES & BENEFITS

- Low Hand-Arm Vibration design for longer safe usage times.
- Tubular frame designed to protect vulnerable components.
- Patented baseplate design for optimised speed and manoeuvrability.
- Lightweight yet durable for easy transport.
- Removable, quick-release 12litre water tank.
- Fitted with manual handling points.
- High power 13kN vibration force.
- Engineered to be robust and durable for rental and heavy contractor usage.
- Easy to operate and control, the baseplate does not dig in when dragged backwards or turned.



Low HAV mountings



Heavy Duty Spraybar with Optional Water Kit

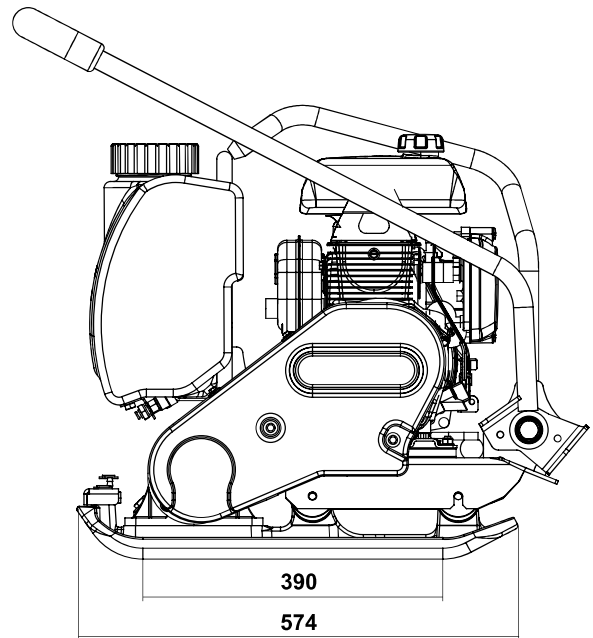
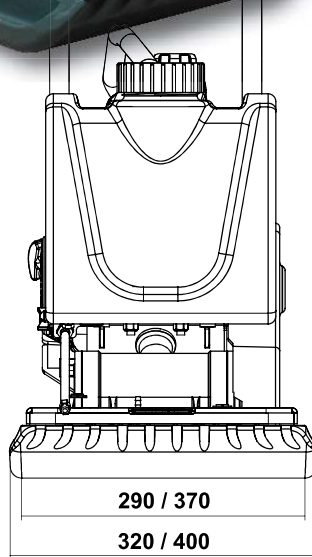


Optional Wheel Kit Available

# PCLX 320 & 400



COMPACTING



Model	Part Number	Engine Power (Hp) - (kW)	Plate Size (mm)	Static Pressure (kg/m <sup>2</sup> )	Max Gradient (°)	Centrifugal Force (kN)	Travel Speed (m/min)	Vibration level** (m/sec <sup>2</sup> )	Weight (kg)
PCLX 320 Honda GX100 Petrol	LC3222	3.0 - 2.2	320 x 574	398	20	13	20	2.42*	62
PCLX 400 Honda GX100 Petrol	LC4221	3.0 - 2.2	400 x 574	336	20	13	20	2.48*	66.5
PCLX 320 Honda GX100 Petrol & Water Kit	LC3222W	3.0 - 2.2	320 x 574	398	20	13	20	2.42*	64
PCLX 400 Honda GX100 Petrol & Water Kit	LC4221W	3.0 - 2.2	400 x 574	336	20	13	20	2.48*	68.5

\*OPERC independent testing/Vibration levels tested to BS5349 using EN 500-4

## OPTIONS

Description	Part Number	Description	Part Number
Block Paving Pad - PCLX 320	OPP/01/DIO	Water Kit - PCLX 320	OPP/515/DIO
Block Paving Pad - PCLX 400	OPP/02/DIO	Water Kit - PCLX 400	OPP/545/DIO
Detachable Wheel Kit	OPP/60/DIO		